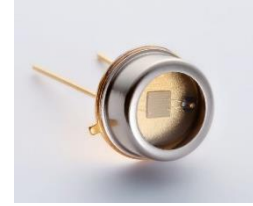


# UVA Sensor: G365T01L2

## Features

Gallium nitride based material  
 Broad band UVA+UVB+UVC photodiode  
 Photovoltaic mode operation  
 TO 39 package  
 Good visible blindness  
 High responsivity and low dark current



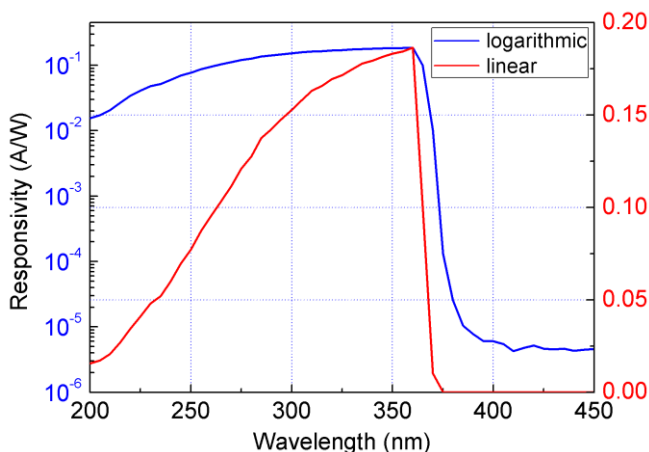
## Applications

UV LED monitoring  
 UV radiation dose measurement  
 UV Curing

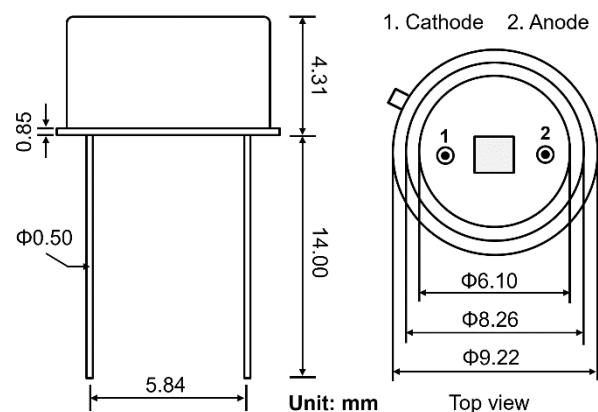
## Specifications

Parameter	Symbol	Value	Unit
<b>Spectral characteristics (25 °C)</b>			
Wavelength of peak responsivity	$\lambda_{max}$	355	nm
Peak responsivity (at 355 nm)	$R_{max}$	0.18	A/W
Spectral response range	-	180~370	nm
UV/visible rejection ratio ( $R_{max}/R_{400\text{ nm}}$ )	VB	$>10^4$	-
<b>General characteristics (25 °C)</b>			
Chip size	A	4	mm <sup>2</sup>
Dark current (1 V reverse bias)	$I_d$	<50	pA
Capacitance (at 0 V and 1 MHz)	C	105	pF
Temperature coefficient	$T_c$	-0.1	%/°C
<b>Maximum ratings</b>			
Operation temperature range	$T_{opt}$	-28~85	°C
Storage temperature range	$T_{stor}$	-40~85	°C
Soldering temperature (3 s)	$T_{sold}$	260	°C
Reverse voltage	$V_{Rmax}$	5	V

## Spectral response



## Package dimensions



\*Caution: ESD can damage the device hence please avoid ESD.