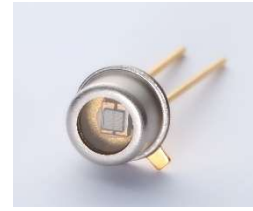


UVC Sensor: G280T01LBP

- Features**
- AlGaIn based material
 - UVC photodiode
 - TO46 package
 - Good solar blindness
 - High responsivity and low dark current

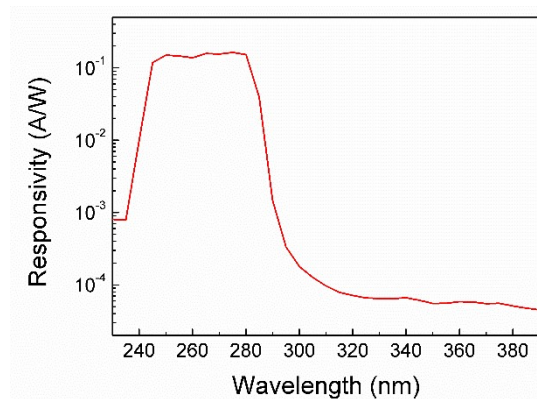


- Applications**
- Ozone monitoring
 - UV radiation dose measurement
 - Flame detection

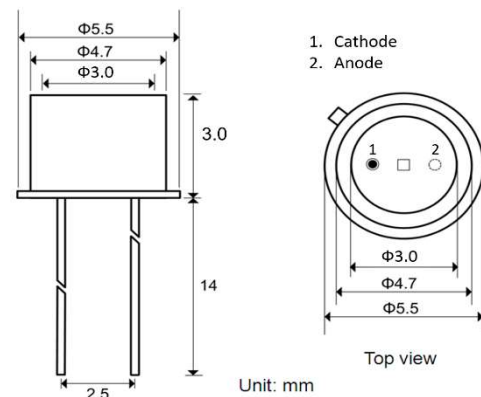
Specifications

Parameter	Symbol	Value	Unit
Spectral characteristics (25 °C)			
Wavelength of peak responsivity	λ_{max}	275	nm
Peak responsivity (at 275 nm)	R_{max}	0.12	A/W
Spectral response range	-	240~280	nm
UV/visible rejection ratio ($R_{max}/R_{400\text{ nm}}$)	VB	$>10^3$	-
General characteristics (25 °C)			
Chip size	A	1	mm ²
Dark current (1 V reverse bias)	I_d	<10	pA
Capacitance (at 0 V and 1 MHz)	C	8.6	pF
Temperature coefficient	T_c	-0.1	%/°C
Maximum ratings			
Operation temperature range	T_{opt}	-40~85	°C
Storage temperature range	T_{stor}	-40~85	°C
Soldering temperature (3 s)	T_{sold}	260	°C
Reverse voltage	V_{Rmax}	10	V

Spectral response



Package dimensions



***Caution:** ESD can damage the device hence please avoid ESD.